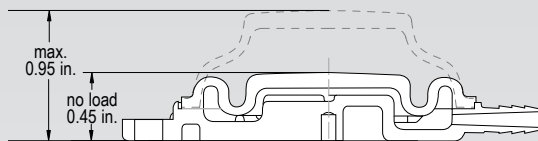
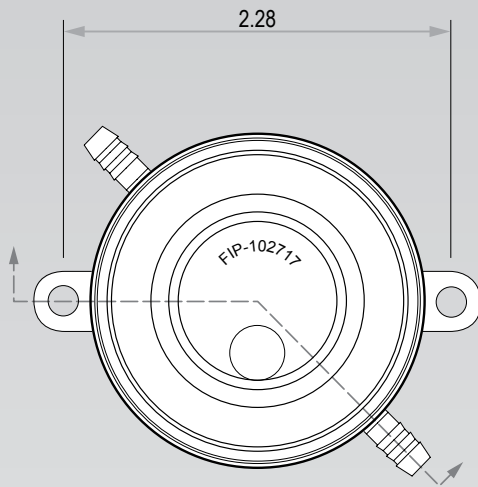
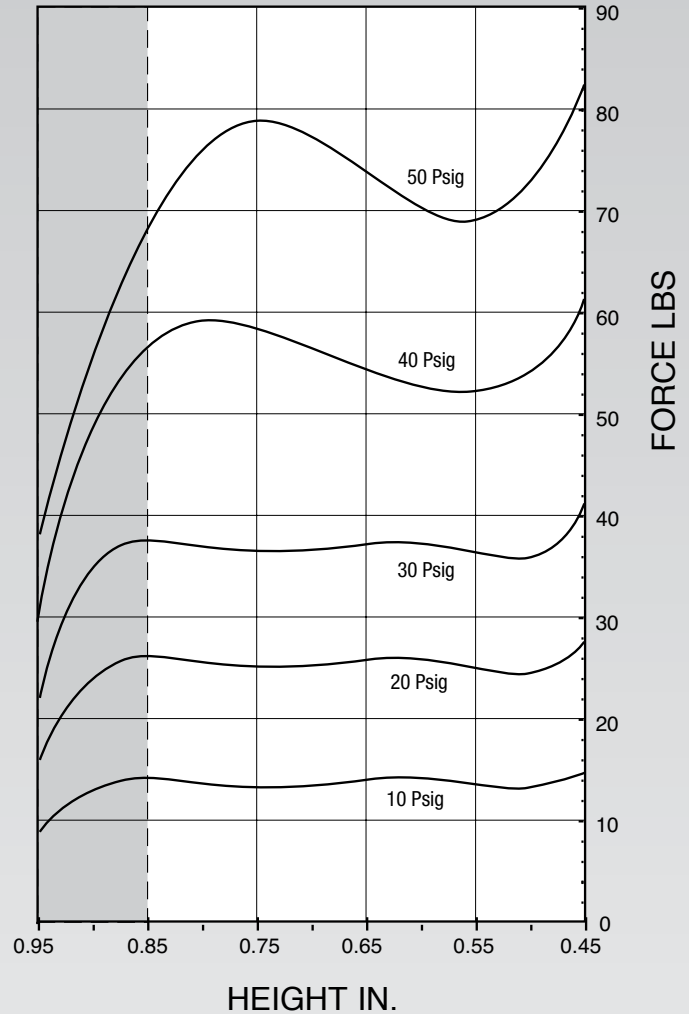


| Description | Assembly Order No. |
|-------------|--------------------|
| 50-P-10     | WA1-358-5676       |



Use #8 or 4mm screws to mount through tabs.

Use .18 [4.6] ID nylon or equivalent tubing.



**NOTE:**  
Do not use as an Airmount isolator.

| Assembly Height (in.) | Volume @ 50 PSIG (in <sup>3</sup> ) | Pounds Force |          |          |          |          |
|-----------------------|-------------------------------------|--------------|----------|----------|----------|----------|
|                       |                                     | @10 PSIG     | @20 PSIG | @30 PSIG | @40 PSIG | @50 PSIG |
| .95                   |                                     | 7            | 14       | 21       | 28       | 37       |
| .85                   |                                     | 13           | 25       | 38       | 58       | 69       |
| .75                   |                                     | 12           | 24       | 37       | 60       | 81       |
| .65                   |                                     | 13           | 25       | 38       | 56       | 76       |
| .55                   |                                     | 12           | 24       | 36       | 53       | 71       |
| .45                   |                                     | 14           | 27       | 41       | 62       | 85       |