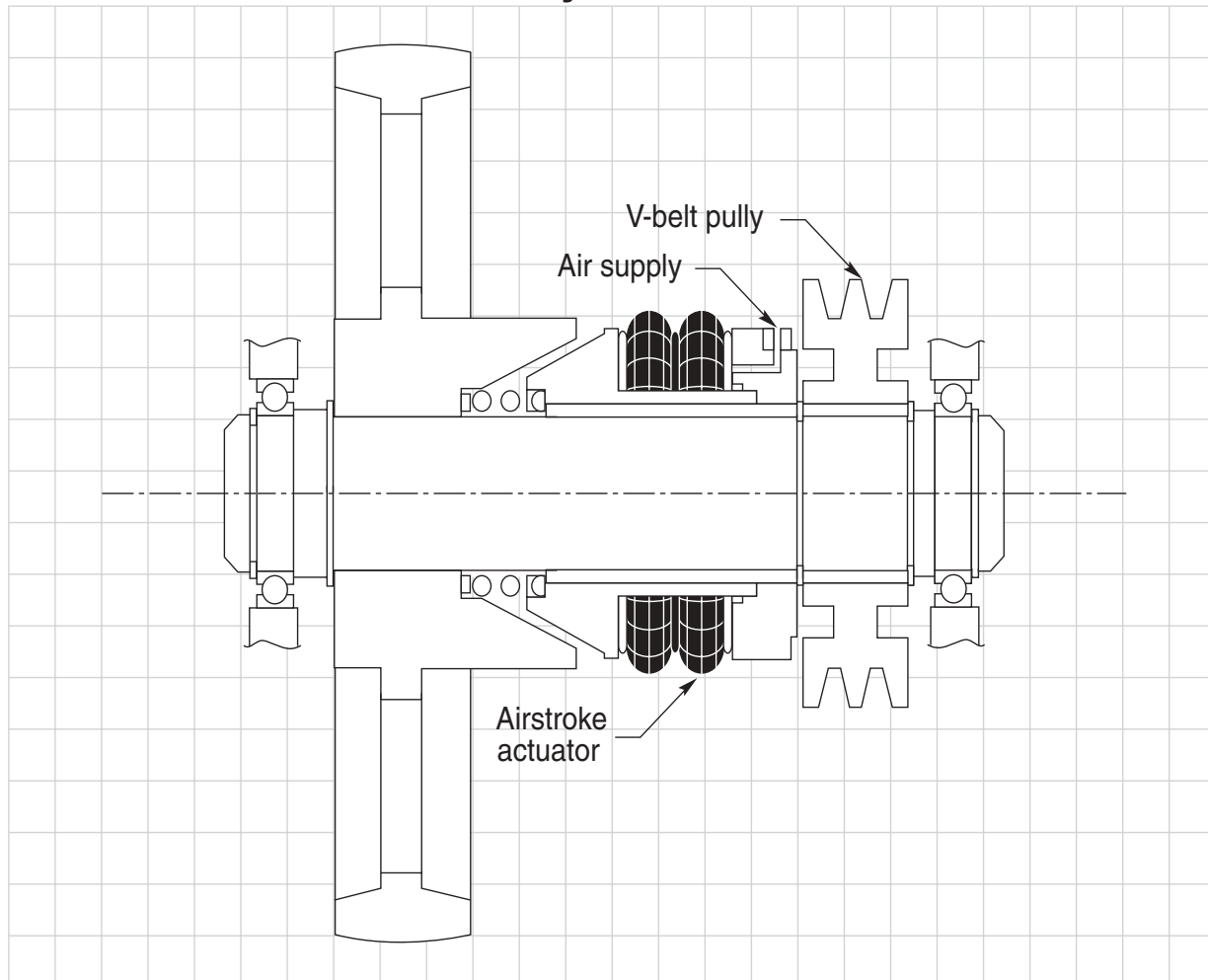


Power Transmission System



Problem

Power must transfer from a V-belt pulley assembly to a belt pulley assembly through a shiftable part to transfer and engage movement.

Solution

An Airstroke actuator used between the V-belt pulley and the shiftable part inflates, thus allowing engagement and power transfer.

Benefit

The Actuator provides reliable and consistent performance with virtually no maintenance. The air spring's low profile allows for a compact design and the air spring's ability to endure a dirty environment gives it longer life than conventional products.